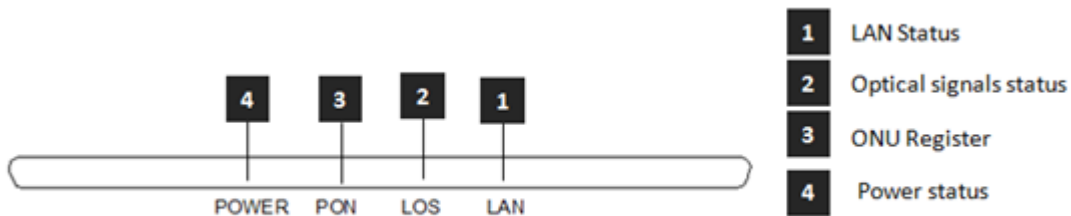
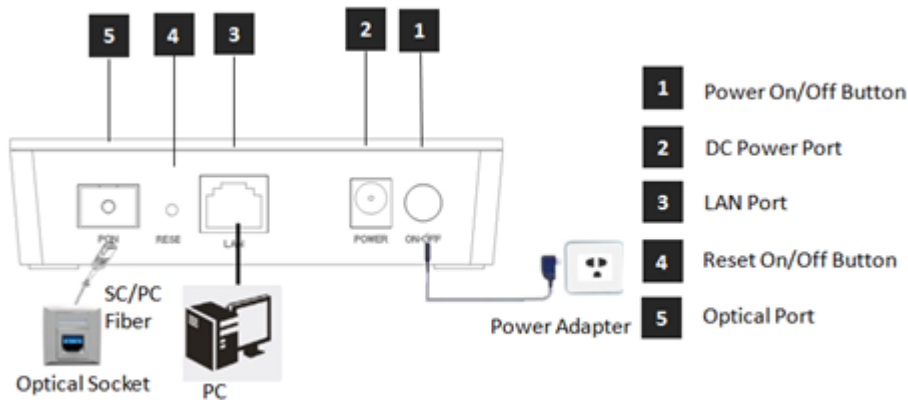


## UNY01Z1XAX ONU



Indicator			Description
1	LAN	LAN port status	On: Ethernet connection is normal; Blinking: Data is being transmitted through the Ethernet port; Off: Ethernet connection is not set up;
2	LOS	EPON optical signals	On: Optical power lower than receiver sensitivity ; Off: Optical in normal
3	PON	ONU Register	On: Success to register to OLT; Blinking: In process of registering to OLT; Off: In process of registering to OLT;
4	PWR	Power status	On: The ONT is power on; Off: The ONT is Power off;

### SPECIFICATION

Item	Parameters	Specification
Interface	PON Port	1 EPON optical interface Meet 1000BASE-PX20+ standard Symmetric 1.25Gbps upstream/downstream SC single-mode fiber split ratio: 1:64 Transmission distance 20KM
	Ethernet Port(LAN)	1*GE Auto-negotiation RJ45 ports Full Duplex / Half-Duplex RJ45, Auto-MDI/MDI-X Transmission Distance 100 Meter
	Power Supply Port	12V DC input
Management	Network Management	Support IEEE802.3 QAM, ONU can be remotely managed by OLT Support Remote management through SNMP and Telnet Local management
	Management Function	Status monitor, Configuration management, Alarm management, Log management
Environmental Specifications	Shell	Plastic casing
	Power	External 12V 0.5A AC/DC power supply adapter Power consumption: <3W
	Dimensions	110mm(L) x70mm(W) x30mm (H) 0.1kg
	Environment	Operating Temperature : 0~50°C Storage Temperature : -40~85°C Operating Humidity : 10%~90%(Non-condensing) Storage Humidity : 5%~95%(Non-condensing)